

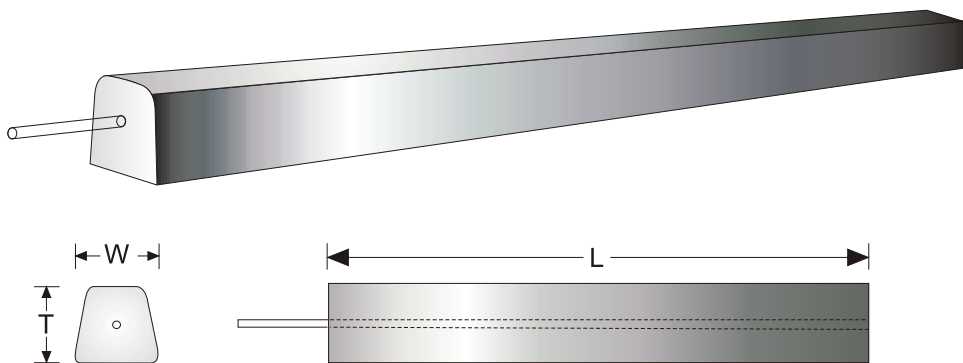


# Soil Anodes

# Zinc Anodes

Composition : Soil zinc anodes are made from 99.99% pure Special high grade zinc. This alloy conforms to the composition of ASTM B-418-95 Type II.

EPSIPL zinc anodes for underground use are produced in a variety of sizes and weights. All of the following anode size are supplied with 1/4" galvanized mild steel core. The standard core extends 4" out one end. Anodes can be supplied bare or packed with the anode tail cable



Anode Type	Wt	W	T	L	Pkg	Dia.	L
	Kg	(mm)	(mm)	(mm)	kg	(mm)	(mm)
EPS 23 ZS	2.3	36	36	223	9	127	381
EPS 54 ZS	5.4	36	36	610	18	127	762
EPS 68 ZS	6.8	51	51	381	16	127	533
EPS 82 ZS	8.2	36	36	914	25	127	1000
EPS 100 ZS	10.0	45	45	750	40	150	1000
EPS 136 ZS	13.6	51	51	762	30	127	1000
EPS 200 ZS	20.0	60	60	800	50	127	1295
EPS 210 ZS	21.0	45	45	1500	55	127	1676



Corrosion Specialist

**ELECTRO PROTECTION SERVICES INDIA (P) LTD**  
(AN ISO 9001:2008 CERTIFIED COMPANY)

Plot No:6, Cauvery Street, Guruswamy Nagar Extn., Sembakkam, Chennai 600 073.  
Phone : 91 44 22780677 / 22781745, Fax : 91 44 22780688  
Email: sales@epsipl.com, Website : www.epsipl.com